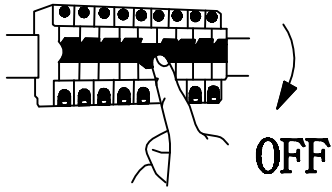


INSTRUCTION SHEET

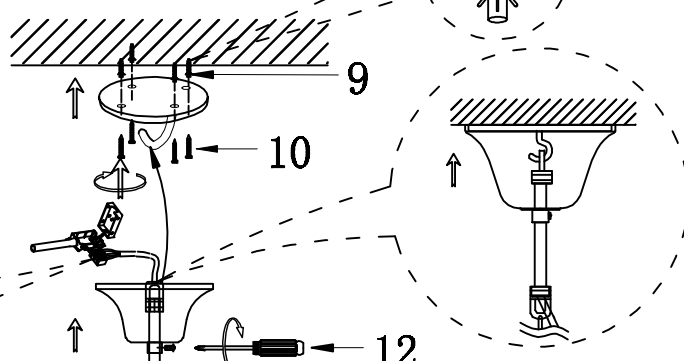
A



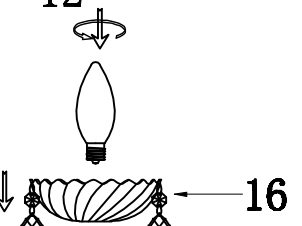
OFF

B

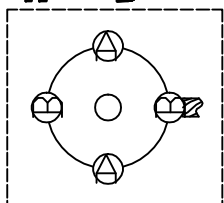
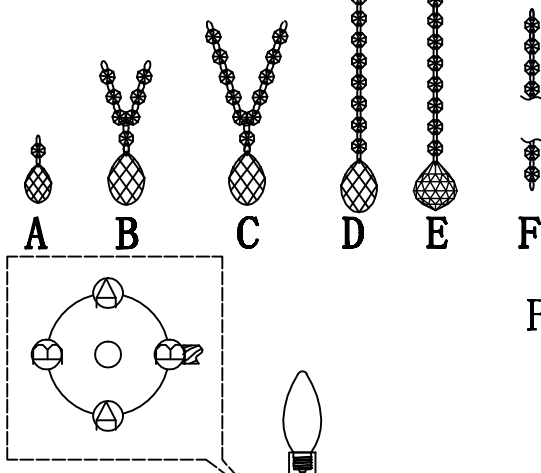
39103



11



12



B

F

A

C

F

F

2

13

4

5

6

E

16

15

14

1

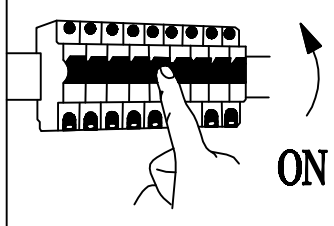
3

7

8

- A 12pc
- B 48pc
- C 12pc
- D 10pc
- E 1pc
- F 6pc

C



ON