

PHILIPS

LED Outdoor Low
Voltage Pedestal
9290032617
9290032618



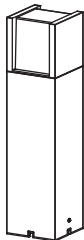
User manual
Benutzerhandbuch
Notice d'emploi
Manual de usuario
Manual do usuário
Manuale d'uso
Gebruiksaanwijzing

Incl.

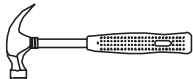
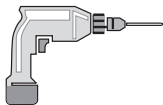
A



B

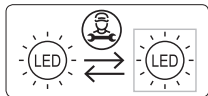


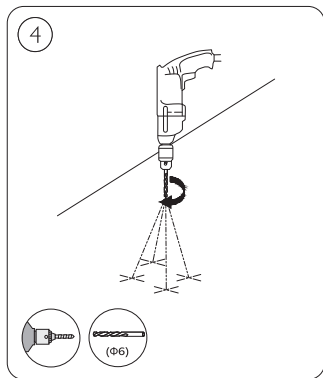
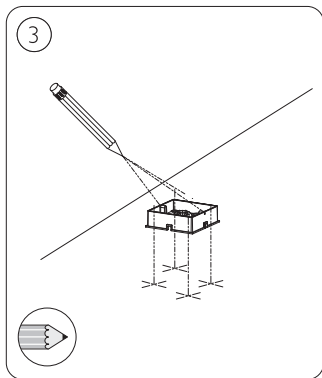
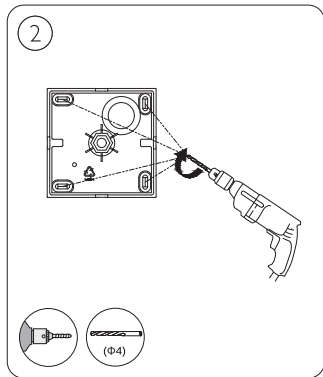
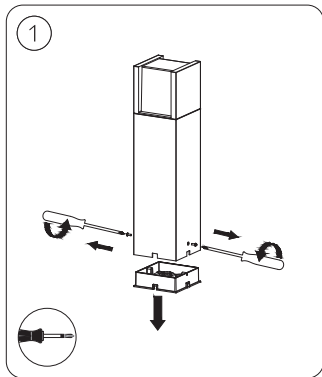
Excl.

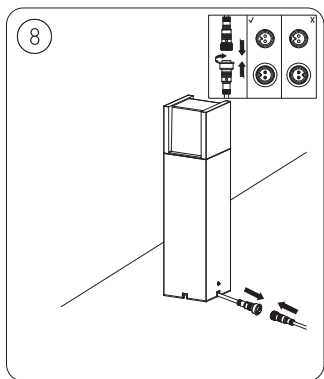
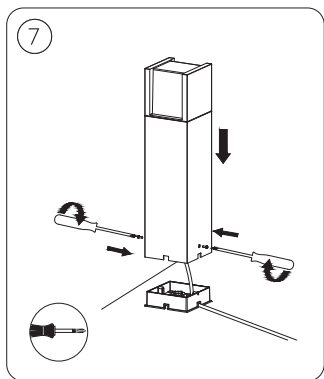
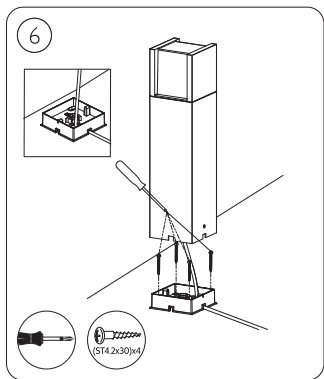
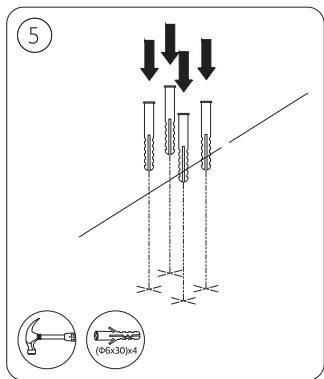


B

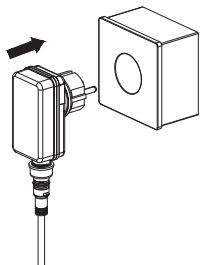
IP44



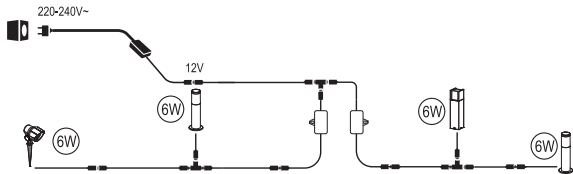




9



Philips GardenLink Low-volt system (12V)



Max.24W Dusk-to-Dawn Sensor (with max.3 pieces of luminaires)

Max.30m (24W Power Supply Unit and Dusk-to-Dawn Sensor, with max.3 pieces of luminaires)

Max.24m (48W Power Supply Unit, with max.6 pieces of luminaires)

For Low Voltage Use Only



Signify Commercial UK Limited
Unit 3, Guildford Business Park,
Guildford, Surrey, GU2 8XG, UK

Signify
I.B.R.S. / C.C.R.I. Numéro 10461
5600 VB Eindhoven, the Netherlands
☎00800-74454775

All rights reserved

Philips and the Philips Shield Emblem
are registered trademarks of Koninklijke
Philips N.V. and are used under license.

www.philips.com/lighting

© 2022 Signify Holding
©ignify

3241 659 63282